



The Right Connection®

# BOSS LPS

## Low Pressure Systems

Products designed specifically for the oil and gas industry

### Abrasion Resistant Inserts for Cam and Groove Fittings



**Application:**

- Extends the life of adapters and couplers when transferring proppant to storage tanks

**Features:**

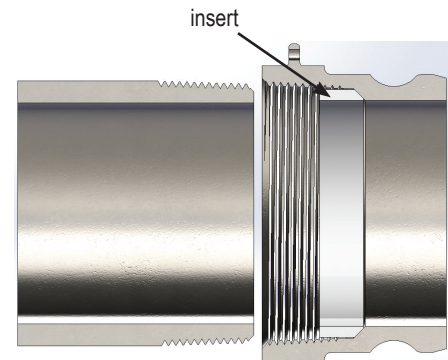
- Abrasion resistance extends service life
- Available for multiple adapter materials including aluminum, brass, malleable iron and stainless steel
- Available for multiple coupler materials including aluminum and malleable iron

**Materials:**

- Insert: UHMW polyethylene
- Adapters: aluminum, brass, iron and stainless steel
- Couplers: aluminum and malleable iron

**Size:**

- 4"



Part #	Description
<b>400-A-ALINSERT</b>	aluminum adapter x female NPT with UHMW insert
<b>400-A-BRINSERT</b>	brass adapter x female NPT with UHMW insert
<b>400-A-MIINSERT</b>	malleable iron adapter x female NPT with UHMW insert
<b>400-A-SSINSERT</b>	stainless steel adapter x female NPT with UHMW insert
<b>400-C-ALINSERT</b>	aluminum coupler x hose shank with UHMW insert
<b>400-C-MIINSERT</b>	malleable iron coupler x hose shank with UHMW insert



The Right Connection®

# BOSS LPS

## Low Pressure Systems

Products designed specifically for the oil and gas industry

### Two-Piece Hammer Union Nuts

#### Applications:

- Replacement for damaged hammer union nuts
- Used with male one-piece flange adapters


#### Features:

- Lug design provides enlarged surface area to hammer
- Repair nut is pinned and bolted for perfect alignment
- All split nuts have chamfer for welding
- Nut can be installed on pre-existing hammer union assembly
- 2,000 PSI (138 BAR) cold working pressure
- 4" Figure 200/206 nut is interchangeable with reliable brands
- 5" nut is interchangeable with reliable brands
- 6" and 8" Figure 100/200/206 nuts are interchangeable with reliable brands
- Available in other series and sizes, contact Dixon



#### Material:

- Forged steel meeting AISI standards

 Dixon recommends using Loctite® Threadlocker Red 271™ when bolting together two-piece hammer union nuts to ensure that bolts do not loosen when in service. Option two is to weld the seams of the split nut. Bolt torque recommendation is 60 foot pounds.

Size	Part #	Description
4"	<b>HU200400RN</b>	split nut figure 200/206, blue (includes bolts)
5"	<b>HUS500RN</b>	suction hammer union split nut, black (includes bolts)
6"	<b>HU100600RN</b>	split nut figure 100, black (includes bolts)
	<b>HU200600RN</b>	split nut figure 200/206, blue (includes bolts)
8"	<b>HU100800RN</b>	split nut figure 100, black (includes bolts)
	<b>HU200800RN</b>	split nut figure 200/206, blue (includes bolts)

connect with us on



### Dixon

ph 877.963.4966

fx 800.283.4966

sales@dixonvalve.com

dixonvalve.com

scan to visit our website

